

USER MANUAL

Series 1781 Models



DIE MEISTER MACHER

Issue 03/2015

Contents

1 Components / Terminology	3	10 Removing / inserting the bolt	15
2 Introduction	4	10.1 Removing	15
3 Key to Symbols	4	10.2 Inserting	16
3.1 General instructions	4	11 Bolt	16
3.2 Safety instructions	4	11.1 Dismantling the bolt	16
4 General handling of firearms	5	11.2 Cocking the bolt	17
4.1 Important basics	5	12 Trigger	18
4.2 Shooting	6	13 Adjusting the rear sight and insert/aperture ..	20
4.3 Maintenance	7	13.1 Windage of the rear sight	20
4.4 Transport	7	13.2 Elevation of the insert/aperture	20
4.5 Storage	7	14 Maintenance / cleaning	20
4.6 Ear and eye protection	7	14.1 Cleaning the barrel	21
5 Legal	7	14.2 Maintenance intervals	22
6 Intended use	8	15 Optical sights	22
7 Liability	8	16 Troubleshooting	22
8 Loading / unloading	9	17 Technical data	23
8.1 Loading	9	18 Disposal	23
8.2 Unloading	12	19 Miscellaneous	23
9 Safety catch	14	20 Shooting Performance	24
9.1 Engaging the safety catch	14	21 Warranty card	24
9.2 Releasing the safety catch	15		

1 Components / Terminology

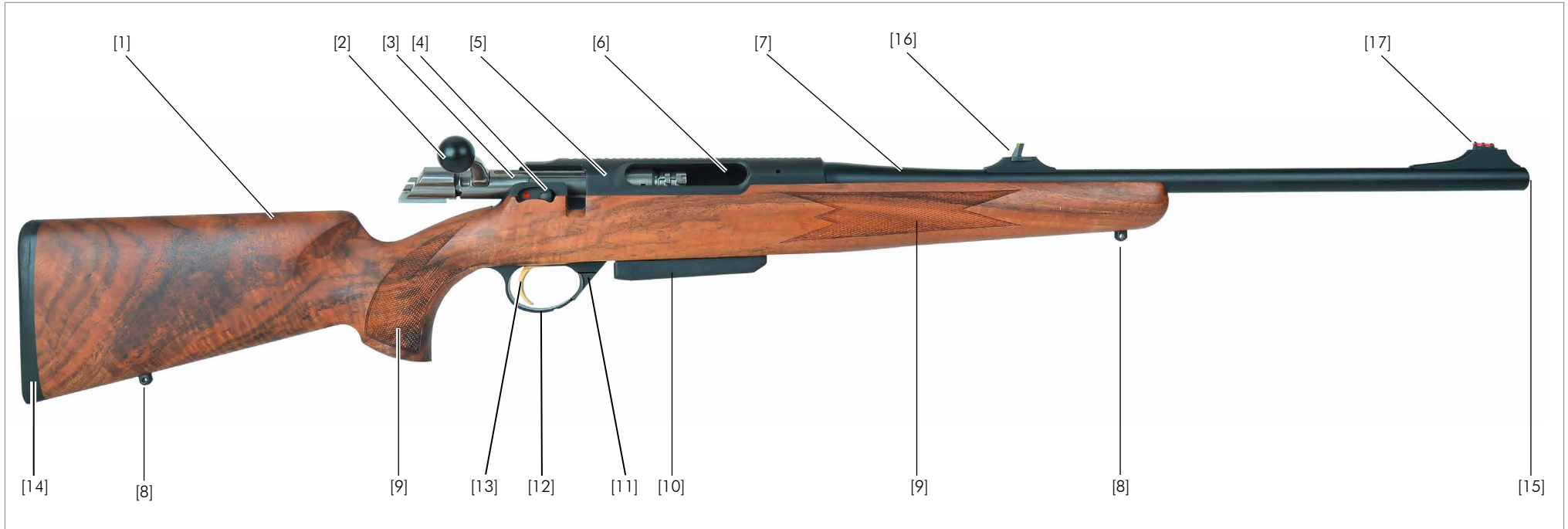


Fig. 1 Overview

- | | | | |
|-----|---------------------|------|-----------------|
| [1] | Stock | [10] | Magazine |
| [2] | Bolt handle | [11] | Magazine holder |
| [3] | Bolt | [12] | Trigger guard |
| [4] | Safety catch | [13] | Trigger |
| [5] | Receiver | [14] | Butt plate |
| [6] | Ejection port | [15] | Muzzle |
| [7] | Barrel | [16] | Rear sight |
| [8] | Sling swivel eyelet | [17] | Insert/aperture |
| [9] | Chequering | | |

2 Introduction

Dear hunting enthusiast,

It's important to be able to rely on the quality of a hunting rifle:

for example, exact and ever-consistent shooting performance. With an ANSCHÜTZ barrel and the detailed, well-engineered design of our bolt, you are guaranteed gunsmithing of the finest calibre. Our master builders from the Match Armoury craft hunting rifles drawing on more than 155 years' experience in the manufacture of precision rifles. But of course, tradition isn't everything. You will always be well equipped when you have an absolutely reliable, easy-to-use ANSCHÜTZ rifle.

You can always rely on a first-class ANSCHÜTZ hunting repeater. Your ANSCHÜTZ rifle will be a reliable companion with unsurpassed accuracy and function at all times.

The ANSCHÜTZ team wishes you good hunting!

3 Key to Symbols

In this user manual, the following symbols are used to distinguish between general information and particularly important information:

3.1 General instructions

- ▶ is the symbol for an instruction
- ✓ shows the desired result
- is the symbol for a list item

3.2 Safety instructions

⚠ identifies a safety instruction



NOTE!

An instruction indicating a specific course of action.



CAUTION!

Indicates a hazardous situation that can lead to minor physical injury or material damage.



WARNING!

Indicates a hazardous situation that can lead to serious physical injury or death.

4 General handling of firearms

Firearms are dangerous objects requiring the utmost care in their storage and use. The following safety and warning instructions must be observed without exception!



NOTE!

The firearms legislation of the respective territory must be respected and complied with.

4.1 Important basics



NOTE!

The use of firearms while under the influence of drugs, alcohol or medication is not permitted.
Vision, dexterity and judgement can all be adversely affected.
A good physical and mental constitution is a prerequisite for using a firearm.

- ⚠ *A firearm must only ever be used for its designated purpose.*
- ⚠ *Firearms owners are responsible for ensuring that their firearm is at no time, and especially when absent, within reach of or accessible to children or other unauthorised persons.*
- ⚠ *Firearms must not be handed over to unauthorised persons.*
- ⚠ *Only original ANSCHÜTZ magazines may be used.*
- ⚠ *The specified capacity of the magazines must not be exceeded.*
- ⚠ *Modifications to the rifle or the use of non-original ANSCHÜTZ magazines and accessories can lead to malfunctions.*
- ⚠ *Serious or life-threatening injuries and damage can be caused by the use of incorrect ammunition, by dirt in the barrel or by incorrect cartridge components.*
- ⚠ *Firearms modified in a way that could affect safety must not be used. If a fault or malfunction is detected, the firearm must be unloaded and taken to an authorised gunsmith for repair.*
- ⚠ *In the event of external effects (e.g. corrosion, being dropped, etc.), the firearm must be checked by an authorised gunsmith.*
- ⚠ *A firearm must always be treated with the utmost care and be protected from accidental damage.*

4.2 Shooting

WARNING!

Danger to life and cause of physical damage!

Aiming the rifle at people and objects.

- When the rifle is not in use, keep the muzzle pointing in a safe direction.
- The muzzle of a firearm must never be held in a direction where it can cause damage or endanger life.



WARNING!

Malfunction when shooting!

Shot not discharged after trigger pulled.

- Do not look down into the muzzle.
- Keep the muzzle of the firearm pointing in a safe direction.
- Unload the firearm.
- Remove residues from the barrel.



- ⚠ *Any firearm must be treated as if it were loaded.*
- ⚠ *Never pick up a firearm by the trigger.*
- ⚠ *Shooting galleries must be adequately ventilated.*
- ⚠ *Any bullet trap in the shooting gallery must be completely safe and visible.*
- ⚠ *No persons may stand in the vicinity of the target during a shoot.*
- ⚠ *Firearms should not be used when visibility is poor.*
- ⚠ *Do not shoot into the air, at hard or smooth surfaces, at water or at targets on the horizon.*
- ⚠ *Do not shoot at targets if the shot could ricochet or be deflected in a dangerous manner.*
- ⚠ *To prevent accidents or damage to the rifle, never discharge a shot with the muzzle held under water or against materials or objects.*
- ⚠ *Only shoot with the calibre specified on the barrel of the rifle.*
- ⚠ *Only new, clean, factory-charged ammunition of the calibre permitted for the rifle may be used.*
- ⚠ *The ammunition must comply with C.I.P. stipulations.*
- ⚠ *Only load the rifle immediately before use.*
- ⚠ *Use only original ANSCHÜTZ magazines.*

- ⚠ *The specified capacity of the magazines must not be exceeded.*
- ⚠ *Life-threatening injuries and physical damage can be caused by the use of incorrect ammunition, dirt in the barrel or incorrect cartridge components.*
- ⚠ *Only original ANSCHÜTZ parts may be used.*

4.3 Maintenance

- ⚠ *Ensure that the rifle is unloaded before and after use or during maintenance and cleaning.*

4.4 Transport

- ⚠ *Firearms may only be transported in an unloaded condition and in locked containers.*
- ⚠ *When you are putting your rifle in a case or a soft case, always make sure that the rifle and the inside of the case or soft case are dry and that no water or moisture remains.*
- ⚠ *Only ever put a cleaned, dry and oiled rifle in your case or soft case.*

4.5 Storage

- ⚠ *Firearms that are not in use must be kept in a secure place under lock and key.*
- ⚠ *Firearms must always be stored in an unloaded and uncocked condition.*
- ⚠ *Ammunition must be kept in a separate place under lock and key.*

4.6 Ear and eye protection



NOTE!

**For your own safety, approved hearing and eye protection should be used when shooting!
Shooting without safety equipment can result in damage to the hearing and sight.**

5 Legal



NOTE!

The applicable firearms legislation, regulations and provisions for the respective territory, and also the safety rules of the hunting and sporting organisations must be observed.

6 Intended use

It must only be used on shoots and on shooting ranges (for sporting and hunting disciplines) and may only be used by persons who hold the appropriate firearms permit.



NOTE!

A firearm must only ever be used for its designated purpose.

7 Liability

ANSCHÜTZ will accept no liability or claims for compensation for damage of any kind arising from:

- failure to comply with the instructions in this user manual,
- improper treatment or repair,
- use of non-original ANSCHÜTZ parts,
- incorrect handling or care,
- negligence,
- removal of the sealing paint,
- unauthorised tampering and
- transport damage.

CAUTION!



Altering or tampering with the rifle or its parts is forbidden and may breach the terms of the guarantee. Alterations of this kind can have an adverse effect on the safe use of the product and lead to accidents that endanger life and limb. In such cases the guarantee is automatically void.

 *The rifle must be examined for any changes each time before use.*

8 Loading / unloading

8.1 Loading

⚠ *Only load the rifle immediately before use.*

- ▶ Slide the magazine holder [11] forwards (in the direction of the arrow).



Fig.2 Unlocking the magazine

- ✓ The magazine [10] is unlocked and can now be removed.
- ▶ Withdraw the magazine [10] from the magazine recess by hand.



CAUTION!

Physical damage!

After it is unlocked, the magazine can fall out of the magazine well by itself.

- ▶ Hold a hand below the magazine when unlocking it.

- ▶ Place the cartridge, base first, centrally onto the loading spring and, using the cartridge, push the loading spring down and slide into the magazine (see arrows).



Fig.3 Loading the magazine



CAUTION!

Don't try to force more than 5 cartridges in the magazine as this could cause damage to the magazine.

- ✓ The magazine is loaded when the base of the cartridge is resting against the rear wall of the magazine.



Fig.4 Magazine loaded

- ⚠ *Only original ANSCHÜTZ magazines may be used.*
- ⚠ *The specified capacity of the magazines must not be exceeded.*
- ⚠ *Only cartridges of the calibre specified on the barrel of the rifle may be used.*
- ⚠ *Only new, clean, factory-charged ammunition of the calibre permitted for the rifle may be used.*
- ⚠ *The ammunition must conform to the specifications of the C.I.P.*



WARNING!

Danger to life!

Incorrect calibre in the magazine.

- Only use the calibre specified on the barrel of the rifle.

- With the bolt closed, insert the magazine into the rifle (in the direction of the arrow) until you feel it engages.



Fig.5 Inserting the magazine

- ✓ The rifle is now loaded.

- ▶ Pivot the bolt handle [2] upwards (in the direction of the arrow).



Fig.6 Pivoting the bolt handle upwards

- ✓ The firing pin is cocked.
- ▶ Open the breech [3] (direction of arrow).



Fig.7 Opening the breech

- ✓ Opening the breech brings a cartridge from the loaded magazine into the feed position.

- ▶ Close the breech [3] (direction of arrow).



Fig.8 Closing the breech

- ✓ Closing the breech pushes a cartridge from the loaded magazine into the cartridge chamber.
- ▶ Pivot the bolt handle [2] downwards (direction of arrow).



Fig.9 Pivoting the bolt handle downwards



WARNING!

Danger to life!

Unintentional discharge as a result of a loaded, unsecured rifle.

- Keep the muzzle of the firearm pointing in a safe direction.
- Engage the safety catch after loading the rifle.

- ✓ The rifle is fully loaded.
- Engage the safety catch (see Chapter 9).



WARNING!

Danger to life!

Unintentional discharge as a result of inattentiveness while engaging the safety catch or as a result of possible malfunctions after securing.

- Even when the safety catch is engaged, the muzzle of a firearm must never be held in a direction where it can cause damage or endanger life.

- ✓ The rifle is fully loaded and the safety catch is engaged.

8.2 Unloading

- Pivot the bolt handle [2] upwards (in the direction of the arrow).



Fig. 10 Pivoting the bolt handle upwards

- Open the breech [3] (direction of arrow).



Fig. 11 Opening the breech

- ✓ Any cartridge that is still in the chamber will be ejected.

- ▶ Slide the magazine holder [11] forwards (in the direction of the arrow).



Fig. 12 Sliding the magazine holder forwards

- ✓ The magazine [10] is unlocked and can now be removed.
- ▶ Withdraw the magazine [10] from the magazine recess by hand.



CAUTION!

Physical damage!

After it is unlocked, the magazine can fall out of the magazine well by itself.

- ▶ Hold a hand below the magazine when unlocking it.

- ▶ Close the breech [3] (direction of arrow).



Fig. 13 Closing the breech

- ▶ Pull the trigger [13] (in the direction of the arrow) and, in the same movement, carefully push the bolt handle [2] downwards.



Fig. 14 Pivoting the bolt handle downwards

- ✓ The rifle is unloaded and uncocked.

9 Safety catch



NOTE!

The safety catch can only be engaged/released when the rifle is cocked. The general "Engage/Release" procedure is described in the following.

9.1 Engaging the safety catch

- ▶ Close the breech [3] (direction of arrow).



Fig. 15 Closing the breech

- ▶ Pivot the bolt handle [2] downwards (direction of arrow).



Fig. 16 Pivoting the bolt handle downwards

- ✓ The rifle is cocked and locked.
- ▶ Pull back the safety catch [4] (in the direction of the arrow).



Fig. 17 Pulling back the safety catch (to set the safety)

- ✓ The rifle is cocked, locked and the safety catch is engaged.
- ✓ The bolt handle is locked when the safety catch is on.

9.2 Releasing the safety catch

- ▶ Move the safety catch [4] into the firing position (direction of arrow).



Fig. 18 Sliding the safety catch forwards (releasing)

- ✓ The rifle is cocked and the safety catch is released.

10 Removing/inserting the bolt

10.1 Removing

- ▶ Push the releasing lever [z] and, at the same time, pull the bolt [3] out of the receiver [5].



Fig. 19 Removing the bolt

10.2 Inserting

- ▶ Cock the bolt (see Chapter 11).
- ▶ Place the bolt [3] on the receiver [5] (guide slot pointing downwards) and slide the bolt [3] forwards until it engages (in the direction of the arrow).



Fig.20 Inserting the bolt

- ✓ The bolt is inserted.



NOTE!

The bolt [3] can only be pushed into the receiver [5] when it is cocked.

11 Bolt

11.1 Dismantling the bolt

- ▶ Remove the bolt (see Chapter 10).
- ▶ Uncock the bolt (turn the bolt with respect to the cap [x] until the firing pin uncocks).

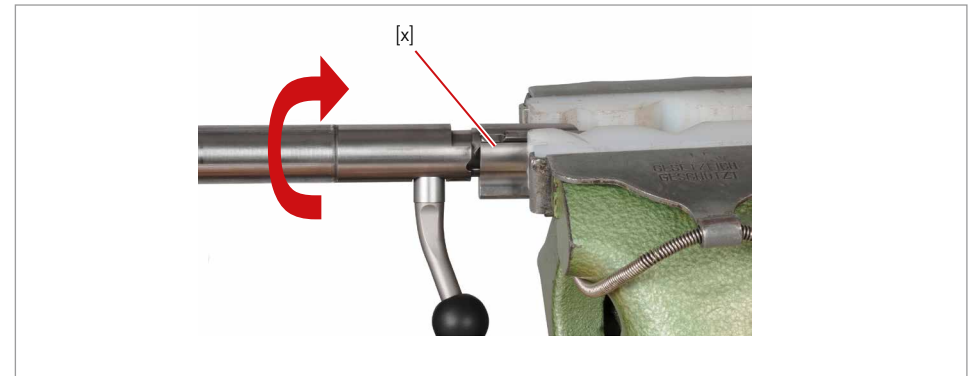


Fig.21 Uncocking the bolt

- ▶ Push the bolt cylinder [z] towards the cap [x] and, at the same time, pull the bolt handle [y] out of the bolt cylinder.

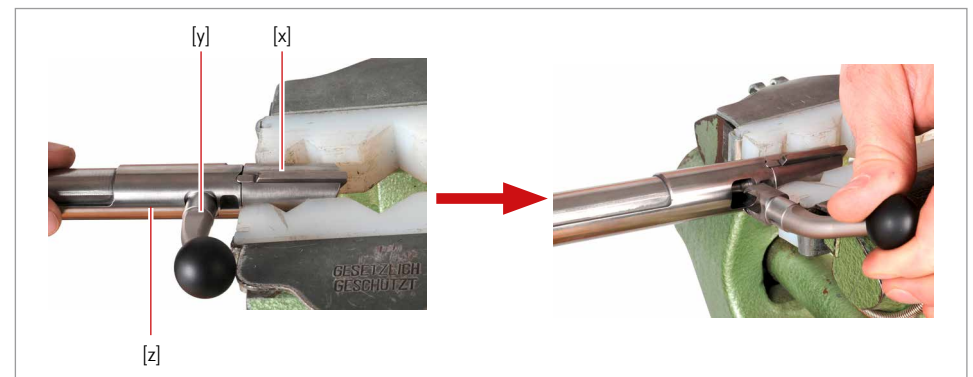


Fig.22 Withdrawing the handle

- ▶ Withdraw the firing pin [s] and spring [f].



Fig. 23 Withdrawing the firing pin and spring

- ✓ The bolt is now dismantled and can be cleaned.



Fig.24 Dismantled bolt

- ▶ To reassemble, carry out these steps in reverse.

11.2 Cocking the bolt

- ▶ The bolt [3] is uncocked.

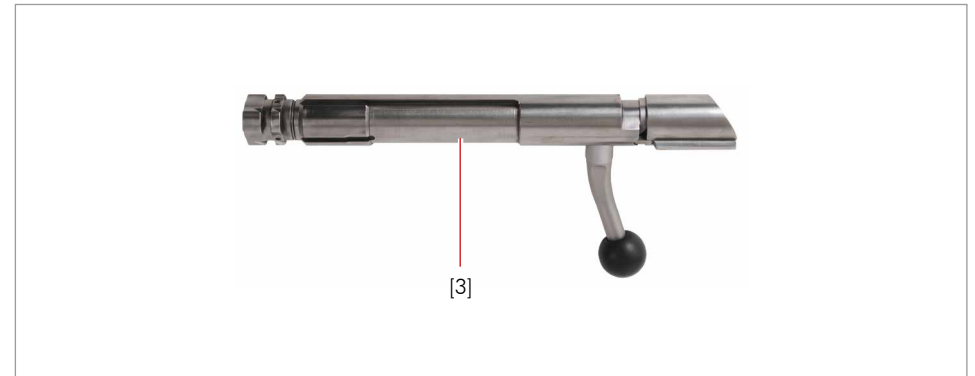


Fig.25 Bolt uncocked

- ▶ First fix the bolt [3] to the bolt nut [5].

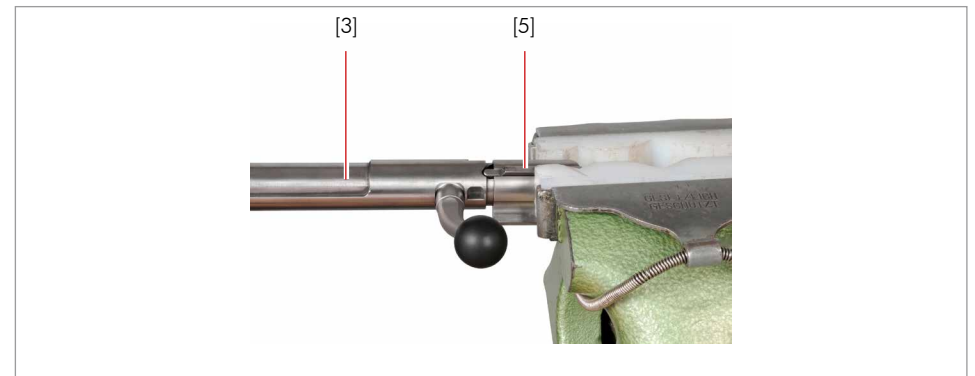


Fig.26 Inserting the bolt

- ▶ Turn the bolt handle [2] downwards clockwise until the bolt [3] is cocked (you will hear a sound as it engages).

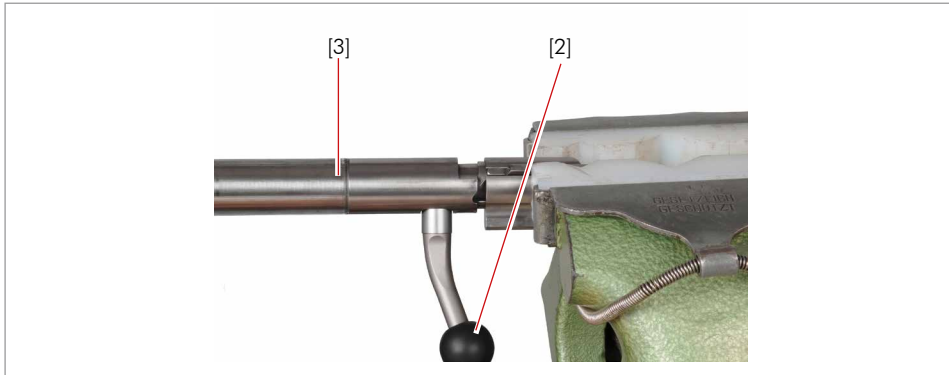


Fig.27 Pivoting the bolt handle downwards

- ✓ The bolt [3] is cocked.

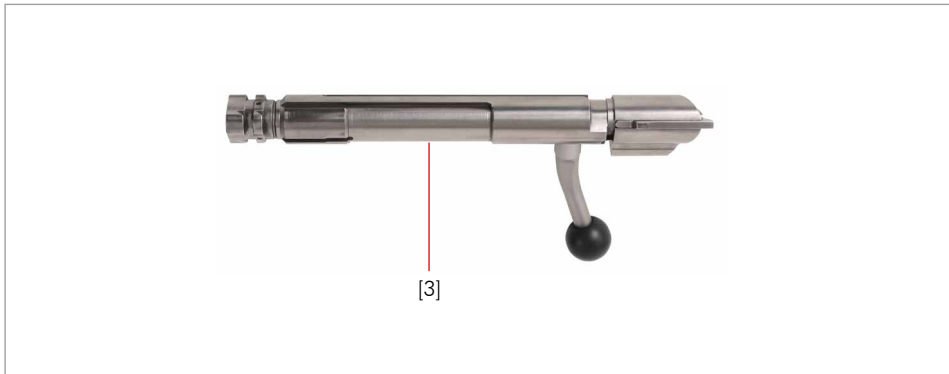
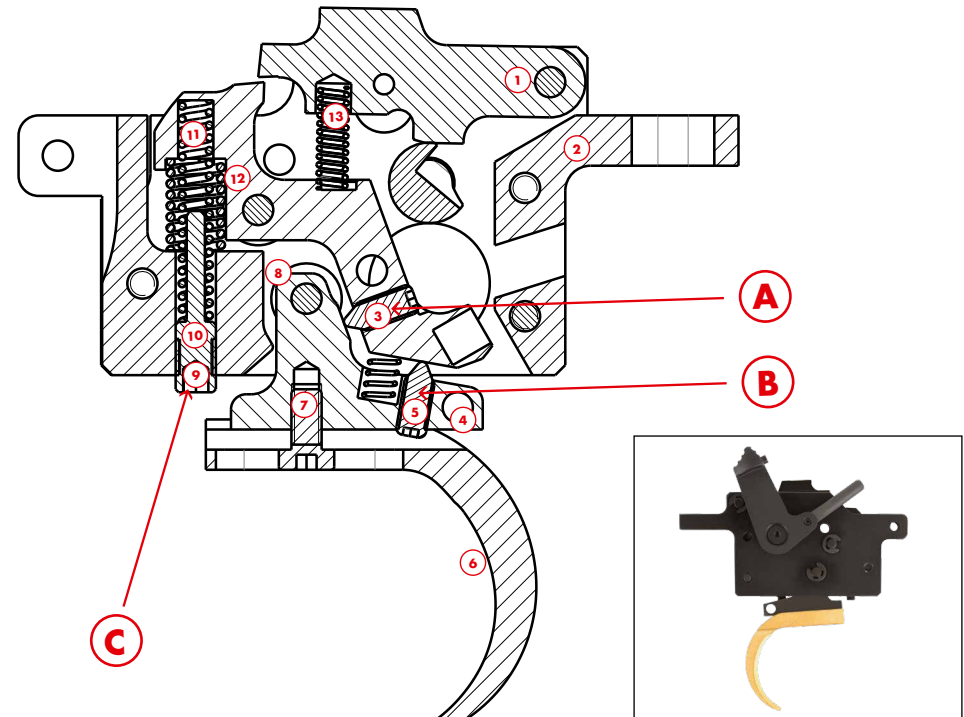


Fig.28 Bolt cocked

12 Trigger

Description Trigger assembly 5781 D:



- | | |
|-------------------------------------|----------------------------------|
| 1 Trigger stud | 8 Compression spring |
| 2 Trigger housing | 9 Trigger weight adjusting screw |
| 3 Sear engagement adjusting screw | 10 Guide mandrel |
| 4 Trigger sear | 11 Compression spring |
| 5 Setting screw first stage travel | 12 Diverter |
| 6 Trigger Blade | 13 Compression spring |
| 7 Pivot screw trigger blade setting | |



NOTE!

ANSCHÜTZ recommends having the headspace checked by an authorized gunsmith at regular intervals.

12.1 Trigger weight setting:

- Turning the setting screw **C** in a clockwise direction increases the trigger weight.
- Turning the trigger screw **C** in a counter-clockwise direction reduces the trigger weight.
- The factory setting is 1,200 g.

12.2 Setting single stage trigger:

- Cock the rifle.
- Insert a 1.5 mm hexagonal spanner through the rear section of the trigger and turn the setting screw **A** in a clockwise direction until the trigger releases.
- After releasing, turn the setting screw **A** back by slightly more than 1/2 a turn = 35 min. (in a counter-clockwise direction).
- Re-cock the rifle.
- Turn the setting screw **B** on the trigger sear in a clockwise direction until the trigger releases.
- After release, the setting screw **B** must be turned back (in a counter-clockwise direction) by 1/4 turn.

12.3 Setting two stage trigger:

- Please follow the instructions „Single stage trigger setting“ to the end.
- Then turn the setting screw **B** in a counter-clockwise direction until you can no longer detect two stage when actuating the cocked trigger.
- From this point, please turn the setting screw **B** 1/4 turn in a clockwise direction.



NOTE!

Settings only to be carried out by an authorised specialist dealer / gunsmith!

13 Adjusting the rear sight and insert/aperture

13.1 Windage of the rear sight

- ▶ Release the hexagonal socket screw.
- ▶ Move the rear sight to the right or left.
- ▶ Re-tighten the hexagon socket screw.



Fig. 29 Rear sight windage

13.2 Elevation of the insert/aperture

- ▶ The insert/aperture is positioned at the desired height by spring force when the hexagon socket screw is adjusted.



Fig. 30 Elevation of the insert/aperture

14 Maintenance/cleaning

WARNING!



Danger to life!

Danger to life from loaded firearm.

- ▶ Ensure that the rifle is unloaded before use or during maintenance and cleaning work.

NOTE!



After each use of the rifle, apply a thin film of oil to the steel parts and thoroughly clean the barrel.

CAUTION!



Injury and physical damage!

Danger of injury or physical damage as a result of not removing the oil from the barrel and chamber.

- ▶ Each time before shooting, any oil or foreign objects must be removed from the barrel and chamber.

14.1 Cleaning the barrel

If the barrel is only slightly dirty, use a plastic brush to clean it.

- ▶ Oil the plastic brush lightly and push it through the barrel from the chamber end using a clean cleaning rod.



Fig.31 Plastic brush

If the barrel is very dirty, use a bronze brush together with a suitable barrel cleaner.



NOTE!

Pay attention to the user instructions for the cleaner!



Fig.32 Bronze brush

- ▶ Pull a woolen swab through the barrel several times to dry it.



NOTE!

It is essential to re-oil the barrel after using ammonia-containing cleaning agents, to avoid the risk of corrosion.

14.2 Maintenance intervals



NOTE!

Pay attention to the instructions supplied with the cleaner.

After each use

- Clean the barrel with a plastic brush and gun oil
- Wipe the rifle (including the stock) with an oily rag

If very dirty

- Clean the barrel with a bronze brush and a suitable barrel cleaner
- Wipe the rifle (including the stock) with an oily rag

Yearly

- Take the rifle to a specialist dealer / gunsmith for inspection

15 Optical sights



NOTE!

Operating and maintenance instructions can be found in the respective manufacturer's documentation.

16 Troubleshooting



WARNING!

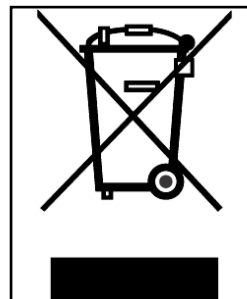
In the event of malfunctions (e.g. shots not discharged, etc.) the rifle must be unloaded, secured and taken without delay to a specialist dealer or gunsmith.

17 Technical data

Weight	3.2 kg (or depending on model)
Length	109 cm (or depending on model)
Caliber	.308 Win.; .30-06; 8x57 IS; 9.3x62
Barrel	56 cm (or depending on model)
Magazine capacity	5 rounds
Trigger type	Single stage trigger 5781 D; set to 1.200 g, setting range 600–1.800 g; can be set to two stage trigger
Breech type	Rotary cylinder bolt (with two-row six-lug breech; 2x3)
Receiver with tapped holes to fit most common scope mounts and Weaver rail	

18 Disposal

The disposal of the rifle must be carried out and certified by a specialist dealer or gunsmith.



19 Miscellaneous

Additional information is available on the Internet at www.anschuetz-sport.com.

ANSCHÜTZ also provides news on these and other products in the ANSCHÜTZ Newsletter, which you can sign up to for free on the Internet.

The original group for your rifle at 100 m is affixed to the CD case.

www.anschuetz-sport.com

20 Shooting Performance

The shooting precision of a rifle depends on several factors. One very important factor in this respect is the ammunition. Not every barrel shoots with the same efficiency. Considerable performance differences are apparent with each ammunition type.

The target sight and its mount are just as important. Parallax, loose reticle, faulty reticle adjustment and inappropriate mount are the most frequent causes of poor shooting performance. As such, only brand-name telescopic sights and mounts should be used and the ammunition matched to your rifle.

Even ammunition from the same manufacturer and the same batch can, from one production run to another, and from one rifle to another, result in varying shooting performance and hitting accuracy. When the most suitable ammunition, target sights and mount have been selected we can guarantee the excellent shooting performance of our weapons. See warranty card.

Note:

We recommend, for reasons of shooting performance/precision that you do not change ammunition types between jacketed bullets with lead core and Tombak jacket (copper-zinc alloy) and lead-free bullets (e.g. massive copper bullets) without chemical cleaning.

21 Guarantee

<<< WARRANTY >>>

1. Material: This product has been released for sale after the product itself, its materials and individual components have been subjected to strict inspection, or the rifle has demonstrated its durability and function during test shooting. J.G. ANSCHÜTZ GmbH & Co. KG offers a full guarantee covering material and manufacturing faults (excluding broken stocks and springs) for a period of two years, provided that the fault can be shown to have been present at the time of handover of the product. No warranty claims will be accepted by J.G. ANSCHÜTZ GmbH & Co. KG for faults that are the result of improper use or unauthorised repairs. The item will either be repaired or replaced at our discretion. Claims for compensation - put forward for any legal reason whatsoever - are excluded.

2. Shooting Performance: The purchaser undertakes to inform J.G. ANSCHÜTZ GmbH & Co. KG in writing of any faults detected in shooting performance within one month of purchase with the submission of their own shooting record. J.G. ANSCHÜTZ GmbH & Co. KG reserves the right to transfer the rifle to an independent agency for inspection (DEVA or a national ballistics office). Should such an agency confirm excellent shooting performance, J.G. ANSCHÜTZ GmbH & Co. KG is entitled to charge the purchaser the costs of the rifle inspection. The accepted warranties do not apply to rifle damage resulting from mechanical effects and improper use or care by the purchaser. The warranty is excluded if the rifle has been repaired or modified by unauthorised persons. Likewise, the warranty is cancelled when using reloaded ammunition or ammunition which is not CIP approved.

In the event of a warranty/damage claim please enclose this card, completed and signed by your dealer, with the product.

J.G. ANSCHÜTZ GmbH & Co. KG · Jagd- und Sportwaffenfabrik
Daimlerstrasse 12 · D-89079 Ulm/Germany · www.anschuetz-sport.com



SERIAL-NO.: _____

DATE: _____

THIS ITEM WAS PURCHASED FROM: *(Stamp or sales receipt.)*