



**JARD Trigger System for
Cooper Firearms**

Operator's Instruction Manual



3149 Nest Ave. – Sheldon, IA 51201
Phone: 712-324-7409
Email: support@jardinc.com – www.jardinc.com

WARNING

This firearm is intended for use only by experienced competitive shooters and professionals. You must take responsibility for your own actions. We will not be responsible for any loss, injury, or death resulting from the use or misuse of this product.

The handling and use of firearm bears with a certain unavoidable risks, like sky diving and rock climbing. If you are not willing to accept responsibility for your own actions, guns are not for you.

The use of any custom parts or modifications may void any warranty from the manufacturer of your firearm.

Returns will not be accepted on any parts that have been modified.

If you do not have a thorough understanding of this trigger and the purpose and function of all the parts, do not attempt to install this system. Have it installed by an experienced gunsmith.

JARD Trigger System for Cooper Firearms

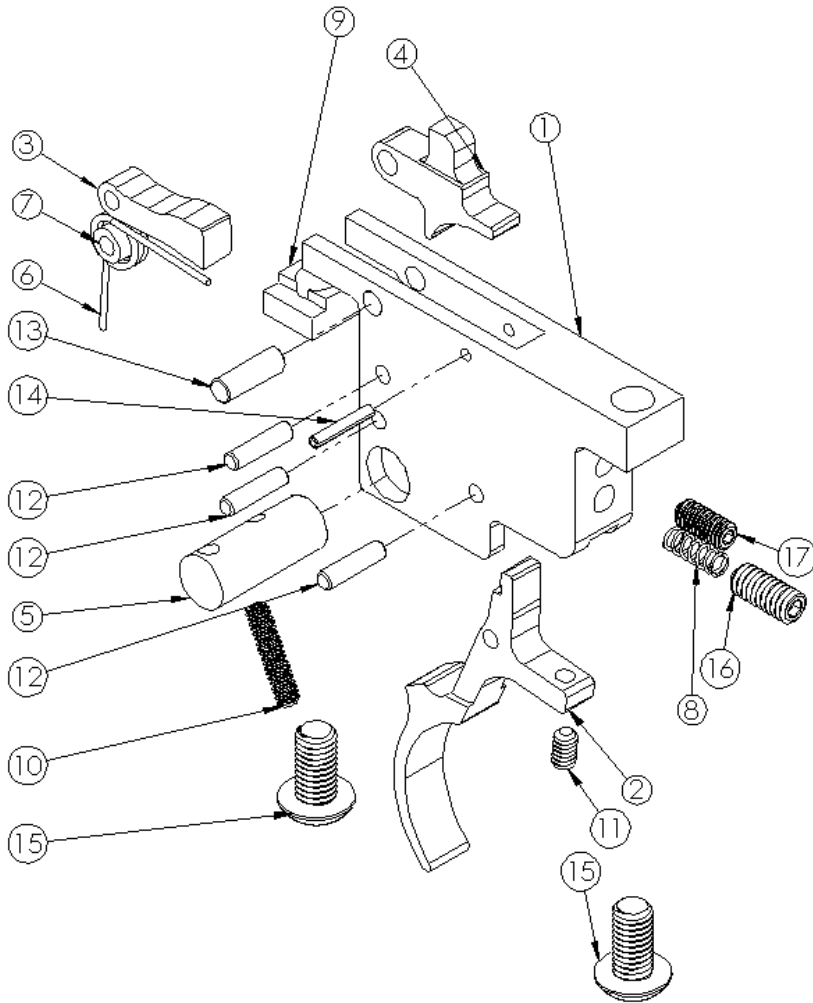
YOUR JARD TRIGGER SYSTEM COMES SET FROM THE FACTORY, NO ADJUSTMENT NEEDED.

If you must make adjustments, follow these instructions carefully. Only adjust the trigger if you fully understand the adjustment process. Adjustments done incorrectly can make your firearm unsafe!

1. Verify the gun is unloaded, and remove the stock from the receiver.
2. With the action cocked, turn the overtravel screw (17) with a 1/16" hex key clockwise until it contacts the trigger. Then while pulling back on the trigger, turn the screw counterclockwise slowly until the sear is released. The screw should then be turned farther, ever so slightly, so there is ample clearance between the sear and trigger when the trigger is pulled. If there is no clearance, the sear may not always be released clearly when pulling the trigger.
3. The sear engagement screw (11) may now be adjusted. Turn the screw with a 0.050" hex key counterclockwise several turns and close the bolt leaving the action cocked, then slowly turn this screw clockwise until the sear is released. Now the screw must be backed off (counterclockwise) until safe sear engagement can be achieved (approximately ¼ turn).
4. The spring tension screw (16) may be set to fine tune the pull weight. Turn the screw with a 5/64" hex key clockwise to increase the pull or counter clockwise do decrease pull weight. This screw can be turned out completely to change pull springs.
4. Check the functioning of the trigger by slamming the bolt home (closing it sharply) several times. If the sear is not released when closing sharply, then it may be possible to adjust for less sear engagement, but if the sear is released it must be backed off further, and/or the weight of pull increased.
5. Adjust the offset safety screw so there is NO trigger movement when the safety is on and the bolt is cocked. (Note: There must be sufficient sear engagement to allow reliable safety function.)
6. Install the receiver back into the stock and perform function and safety checks.

JARD Trigger System for Cooper Firearms

Parts Breakdown List



ITEM NO.	PART NO.	DESCRIPTION	QTY.
1	2770	Cooper Housing	1
2	2769	Trigger, Cooper	1
3	2768	Lever, Cooper	1
4	2767	Sear, Cooper	1
5	1598	Safety Barrel	1
6	1597	Sear Spring	1
7	1606	Bushing	1
8	1616	Trigger Spring	1
	1058	2oz	
	1059	4oz	
	1060	5oz	
	1061	6oz	
	1062	8oz	
9	2739	Screw Block	1
10	1615	Safety Screw	1
11	3427	Sear Adj. Screw	1
12	1166	Dowel Pin	3
13	1238	Dowel Pin	1
14	2406	Roll Pin	1
15	1743	Mounting Screw	2
16	4091	Spring Tension Screw	1
17	1155	Over-Travel Adj. Screw	1

JARD, Inc.

3149 Nest Ave. – Sheldon, IA 51201

Phone: 712-324-7409 – Email: support@jardinc.com

www.jardinc.com