



JARD Trigger System for Savage Centerfire Rifles

Operator's Instruction Manual



3149 Nest Ave. – Sheldon, IA 51201

Phone: 712-324-7409

Email: support@jardinc.com – www.jardinc.com

WARNING

This firearm is intended for use only by experienced competitive shooters and professionals. You must take responsibility for your own actions. We will not be responsible for any loss, injury, or death resulting from the use or misuse of this product.

The handling and use of firearm bears with a certain unavoidable risks, like sky diving and rock climbing. If you are not willing to accept responsibility for your own actions, guns are not for you.

The use of any custom parts or modifications may void any warranty from the manufacturer of your firearm. Returns will not be accepted on any parts that have been modified.

If you do not have a thorough understanding of this trigger and the purpose and function of all the parts, do not attempt to install this system. Have it installed by an experienced gunsmith.

Installation

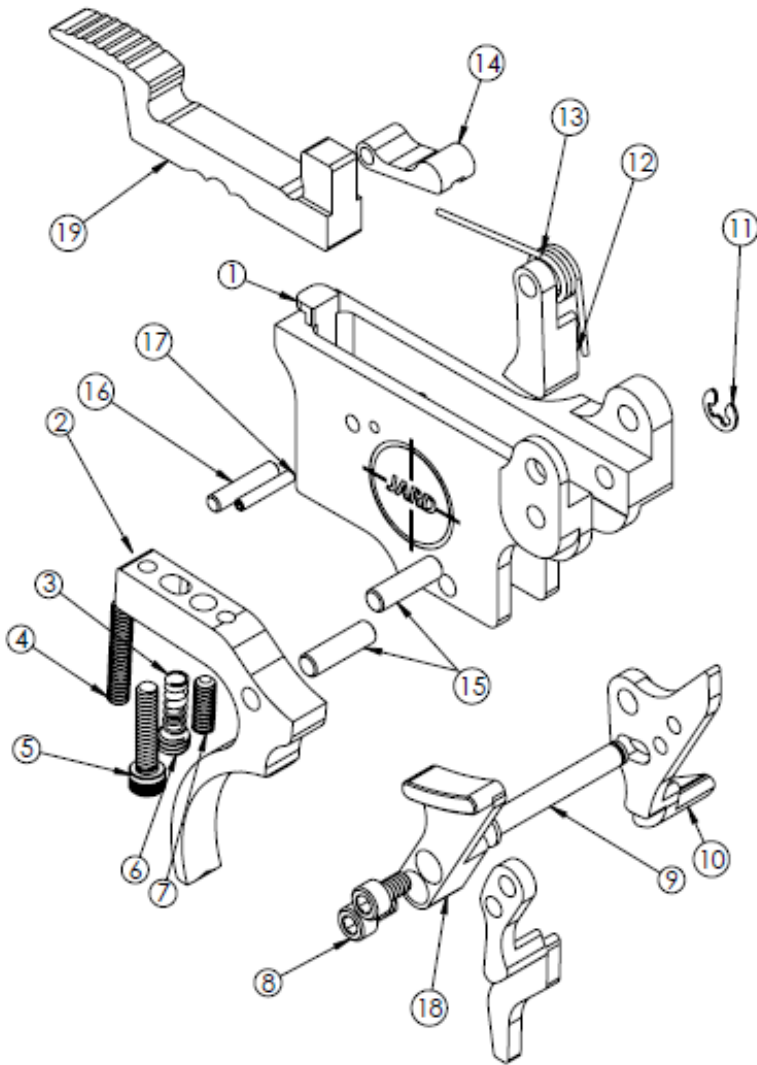
1. With the rifle pointed in a safe direction, open the bolt and visually check the chamber to verify it is not loaded.
2. Remove the bolt from the action and unscrew the two disassembly screws ahead of the trigger guard to remove the action from the stock.
3. Remove the sear pivot / retaining pin. Use caution as the sear is under spring pressure. The factory trigger assembly along with the sear and sear spring should now be free from the action. The factory safety should be left in the action in the fire position unless you're replacing the 2-position factory safety with a JARD 3-position safety(19).
4. Install the JARD replacement Trigger System. Reuse the sear pivot / retaining pin to mount the JARD Trigger System to the action.
5. Reassemble the rifle and perform a function and safety check.

YOUR JARD TRIGGER SYSTEM COMES SET FROM THE FACTORY, NO ADJUSTMENT NEEDED.

If you must make adjustments, follow these instructions carefully. Only adjust the trigger if you fully understand the adjustment process. Adjustments done incorrectly can make your firearm unsafe!

1. To adjust the sear engagement, first cock the bolt and push the safety off. With a 1/16" hex key, turn the sear engagement screw (5) clockwise slowly until the sear releases. From this specific point, turn the screw counter-clockwise 1 full revolution. This ensures there is sufficient sear engagement to function safely and properly.
2. To adjust the over travel, use a 0.050" hex key to turn the over travel screw (7) clockwise until the screw stops solid. Next, open up the bolt as if cocking the rifle. The trigger should not reset. With the bolt open, turn the over travel screw counter-clockwise until the sear resets. From this point, turn an additional ¼ turn counter-clockwise. This provides sufficient sear clearance to prevent binding.
3. To set the safety engagement, first cock the bolt and put the rifle on safe. With a 0.050" hex key, turn the safety engagement screw (4) clockwise until it contacts the safety bar. The safety should move freely while the trigger remains stationary when pulled.
4. To adjust the pull weight, a 5/64" hex key may be used to adjust the spring tension screw (6). Turn clockwise to increase the pull weight and counter-clockwise to decrease pull weight. (Note: pull weight can only be adjusted within the posted pull weight range safely. If you want to reach the other pull weight range, you can purchase a replacement spring from JARD (3). Do NOT trim your trigger return spring.)
5. If any of the adjusting screws move freely with no resistance, you must remove the screw and apply blue thread locker to the threads to prevent settings from coming out of adjustment and the trigger system becoming unsafe to use.
6. Reassemble your rifle and perform all safety and function checks before using the rifle.

JARD Trigger System for Savage Centerfire Parts Breakdown



ITEM NO.	PART NO.	DESCRIPTION	QTY.
1	4556	Trigger Housing	1
2	4557	Trigger	1
3	1616 1059	Trigger Return Spring 7oz - 12oz 13oz - 18oz	1
4	3084	Safety Screw	1
5	5276	Sear Screw	1
6	2952	Pull Screw Adj. Screw	1
7	2970	Overtravel Adj. Screw	1
8	3433	Screw	2
9	3352	Retaining Pin	1
10	4559	Sear	1
11	1254	E-Clip	1
12	4558	Sear Lever	1
13	1597	Sear Spring	1
14	4561	Safety Detent	1
15	2152	Dowel Pin	2
16	3069	Dowel Pin	1
17	2406	Roll Pin	1
18	4560 4653	Bolt Release Side Release Bottom Release	1
19	4660	3 Position Conversion Safety (Optional)	1

JARD, Inc.

3149 Nest Ave. – Sheldon, IA 51201

Phone: 712-324-7409 – Email: support@jardinc.com

www.jardinc.com