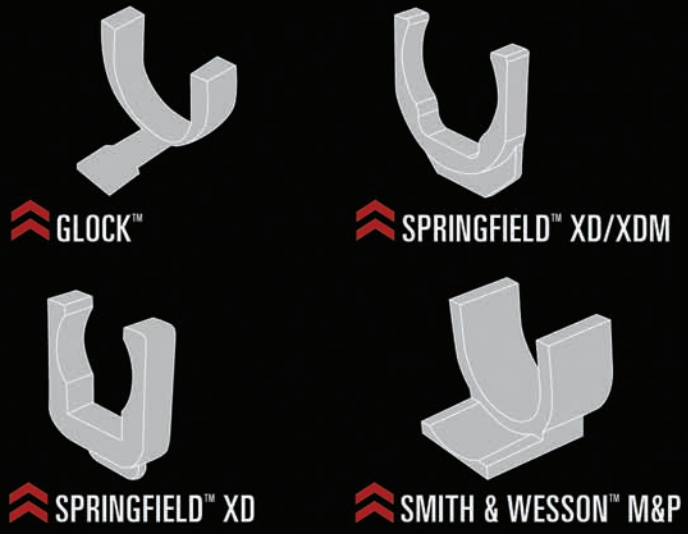


## ⚠ WARNING:

NOTICE: Strike Industries shall not be responsible for injury, death or damage of property resulting from misuse, illegal use or modification of this product. Observe safe firearm handling practices at all times. Before beginning installation, make sure the weapon is unloaded and the safety engaged. Failure to do so may result in grievous bodily injury or death.

# SHOCK BUFFERS



When the pistol cycles, the metal slide kicks back and impacts the polymer frame in a violent way and has direct contact with the frame surface. The impact from the slide is hard enough to affect precision shooting. By installing the proper model of Shock Buffer™, the slide and frame won't have direct impact. Moreover, the Shock Buffer™ will absorb the impact and provide a softer recoil which increases the lifespan of the frame and pistol. It also decreases the shock and your hands which prevents muscle fatigue and allows you to have more control for the next shot.

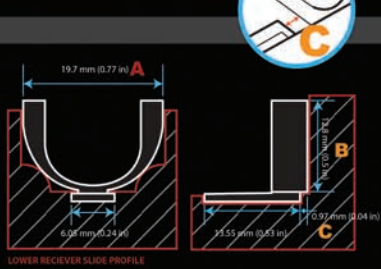
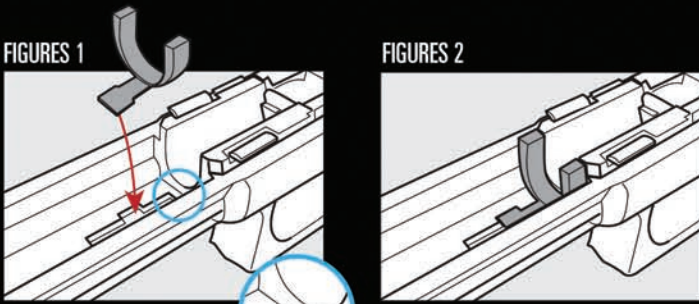
## INSTALLATION

PLEASE CONSULT EXPERIENCED GUNSMITH BEFORE INSTALLATION

- » Remove magazine and clear the gun
- » Remove the slide from the lower receiver
- » Take out spring guide/ spring from the slide
- » Install SI Shock Buffer™ on the slide



## GLOCK™

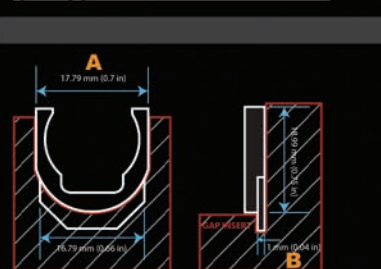
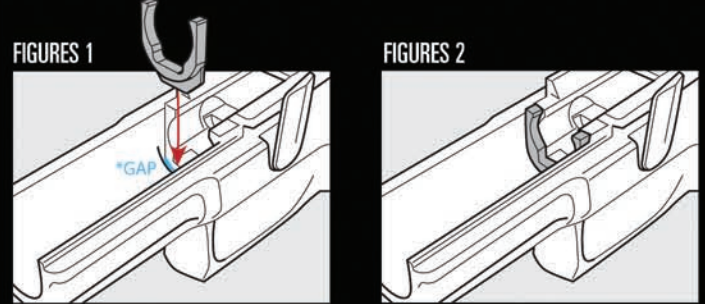


TESTED MODELS

MODEL	BARREL	CALIBER
G17	3	9x19mm
G17	4	9x19mm
G22	4	9x19mm
G31	4	.357
G34	3	9x19mm
G34	4	9x19mm
G35	4	.40

» The other Gen3/4 Glock models except for Compact and Sub-compact models MAY fit.  
 » For models other than listed above, please refer to the figures and the dimensions provided.  
 » Check lower receiver slide profile shape &  
 » Check the A, B and C.

## SPRINGFIELD™ XD/XDM

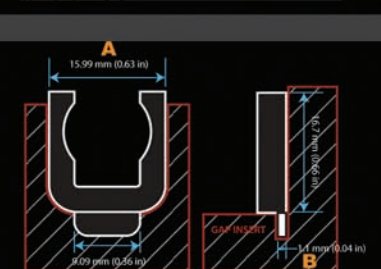
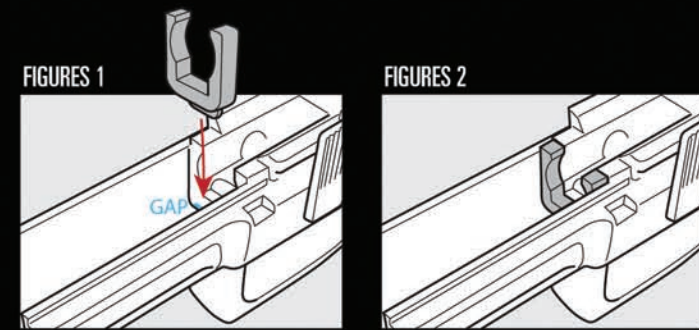


TESTED MODELS

MODEL	BARREL	CALIBER
XD(M)	4.5"	9x19mm
XD(M)	5.25"	9x19mm
XD Sub-Compact	3"	9x19mm

» The other XD(M) models with 9x19mm/.45ACP MAY fit.  
 » For models other than listed above, please refer to the figures and the dimensions provided.  
 » Check lower receiver slide profile shape &  
 » Check dimensions in A and B  
 » See if there is a GAP. If no gap, this buffer will not fit.

## SPRINGFIELD™ XD NEW MODELS

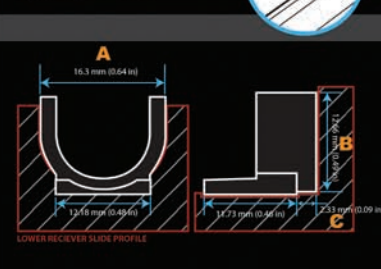
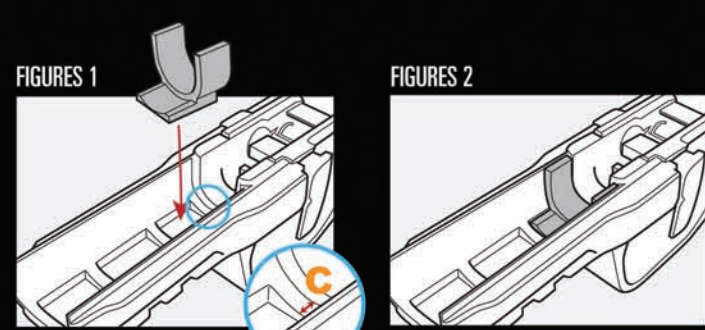


TESTED MODELS

MODEL	BARREL	CALIBER
XD Tactical	5"	9x19mm

» The other new XD models with 9x19mm/.45ACP MAY fit.  
 » For models other than listed above, please refer to the figures and the dimensions provided.  
 » Check lower receiver slide profile shape &  
 » Check dimensions in A and B  
 » See if there is a GAP. If no gap, this buffer will not fit.

## SMITH & WESSON™ M&P HANDGUN



TESTED MODELS

MODEL	BARREL	CALIBER
M&P45	4"	.45ACP
M&P9	4.25"	9x19mm
M&P40	4.25"	.40S&W

» For models other than listed above, please refer to the figures and the dimensions provided.  
 » Check lower receiver slide profile shape &  
 » Check the A, B and C