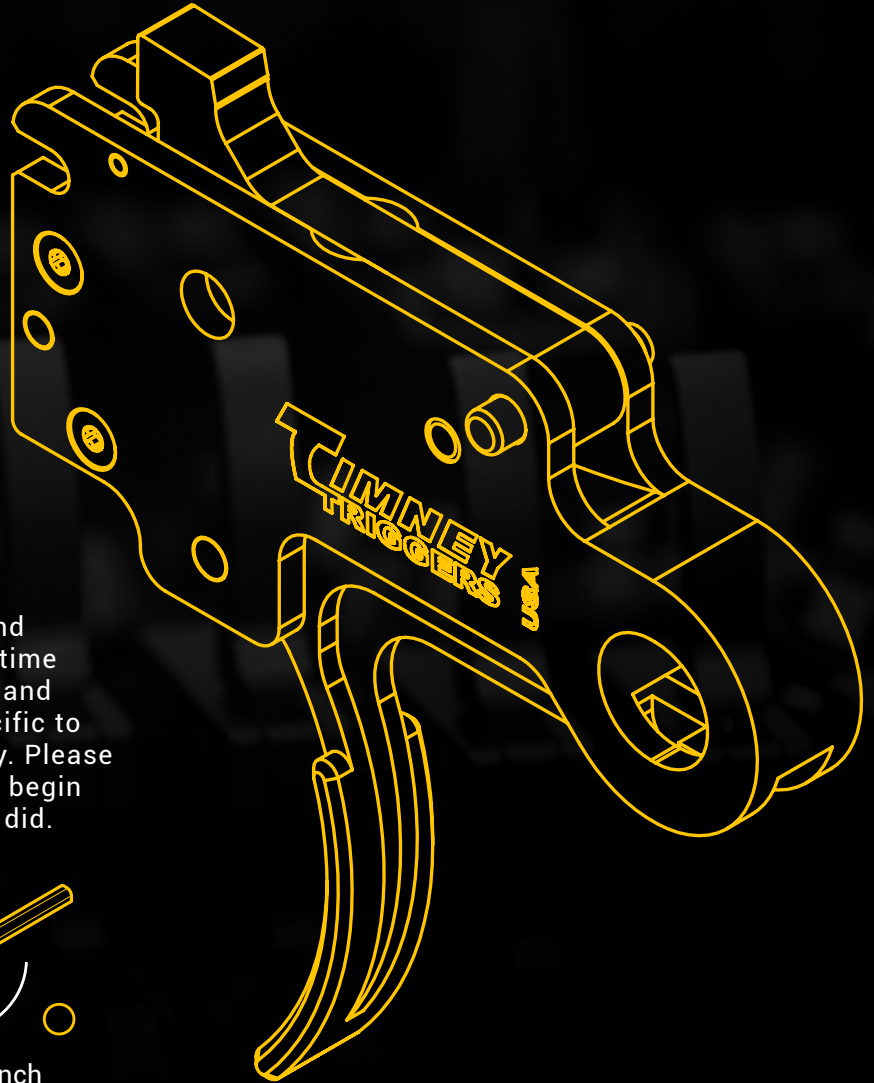




MRAD[®] REPLACEMENT TRIGGER INSTALLATION INSTRUCTIONS

Thank you for purchasing this Timney Trigger. It has been designed and manufactured to provide you with a lifetime of dependable service. Each trigger is hand tested and calibrated on an action specific to your platform before leaving our factory. Please read these instructions fully before you begin installing the trigger, you'll be glad you did.



TOOLS NEEDED:



Straight Punch

TIMNEY TRIGGER GUARANTEE

Material and workmanship: This Timney trigger has been carefully inspected, tested and adjusted to give a lifetime of dependable service. Every possible care has been exercised in its design and construction. If any defect in workmanship or material should develop under conditions of normal use and service, any necessary repairs, including parts and labor will be made at NO CHARGE to the purchaser providing that our inspection reveals parts were not damaged through accident, alteration, misuse, abuse or other causes beyond our control. We neither assume nor imply any oral or statutory warranties, and we neither assume nor authorize any person to assume for us any obligation or liability in connection with this trigger. Repairs or disassembly of this trigger in any manner without specific authorization, voids the guarantee.

IF YOU HAVE TROUBLE CHECK OUT TROUBLESHOOTING STEPS ON WWW.TIMNEYTRIGGERS.COM OR CONTACT US

Timney can also install your trigger for \$40.00 plus \$35.00 shipping and handling. **Address:** 2020 W Quail Ave, Phoenix AZ. 85027
Phone: 623-223-1111 **Fax:** 623-223-1112 **Support:** technicalsupport@timneyusa.com. MRAD[®] is a registered trademark of Barrett Firearms.

INSTALLATION INSTRUCTIONS



- 1 Before beginning work on your firearm remove the ammunition source and double check to ensure the chamber is empty. Remove all ammunition from the work area.
- 2 Disassemble the firearm by following the original manufacturer's manual (disassembly may vary depending on firearm).
- 3 Once the upper and lower receiver have been separated, set the upper receiver aside. You will only be working on the lower receiver.
- 4 While slightly wiggling the safety lever, carefully push out the safety with a punch. Remove the factory trigger by shifting it to the rear and pulling it free of the receiver assembly.
- 5 To install your new Timney Trigger into the receiver, align the front slot on the trigger with the mounting pin and slide it forward into position. Align the rear safety holes and carefully slide the safety back into position.
NOTE: If you have trouble getting the safety lever over the detent, a punch can be used to depress it from the opposite side.
- 6 Reassemble upper and lower receivers by following the original manufacturer's manual.
- 7 Once firearm has been reassembled, perform the safety and function test to ensure both the trigger and safety perform properly.
- 8 You are now ready to use your new Timney Trigger!

IF YOU HAVE TROUBLE, CHECK OUT OUR TROUBLESHOOTING STEPS ONLINE OR CONTACT US. SCAN CODE BELOW.



WWW.TIMNEYTRIGGERS.COM