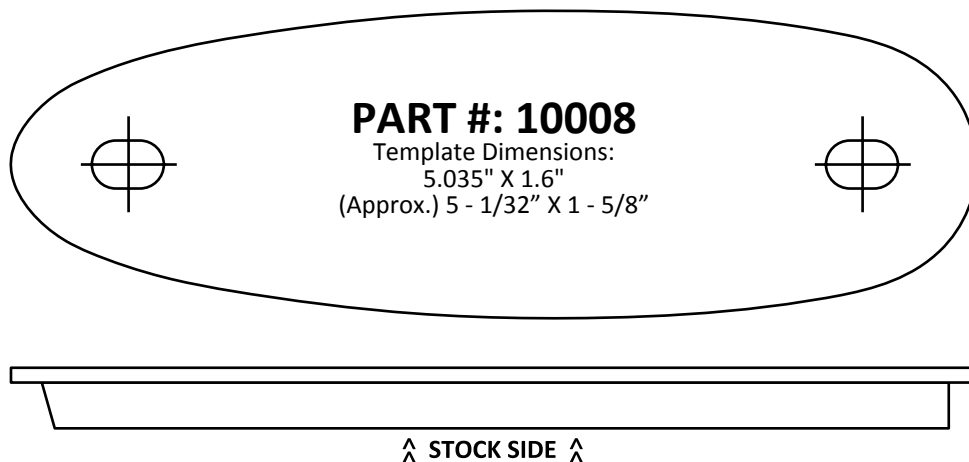


IMPORTANT PRINTING INSTRUCTIONS: This file is intended to be printed to scale. To ensure that your print is to scale, make sure "Fit to Page" is unchecked when printing. After printing this document, accuracy can be checked by measuring the overall length and width of the template and cross-referencing these dimensions with those listed with the part.



WARNING: This plate cannot be altered.